



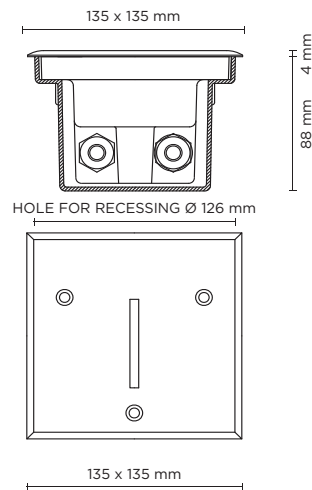
#### Technical features



501002

## BLADE COMPACT SQUARE

Recessed square luminaire for outdoor installation in the wall, phosphochromatised and polyester powder coated die-cast copper-free aluminium body, stainless steel AISI 304 frame, tempered safety glass, moulded silicone gasket and stainless steel screws. Built-in LED driver 220-240V 50-60Hz, with 1 high-power LED. IP65 rating.



#### Technical data

Wattage	2 WATT
IP Rating	IP65
IK Rating	IK08
Material	High corrosion resistance die-cast copper-free aluminum body
Coating	Polyester powder coating with phosphochromating pre-finish
Trim	Stainless steel AISI 304
Light source	NR. 1 x 1W LED
Screws	Stainless steel
Transformer	Electronic power supply 220/240V 50/60Hz built-in
Cable	1 mt. neoprene power cable included
Gasket	Silicone rubber
Glass	Tempered
Cable gland	Double PG11
Gross weight	1,40 Kg
Included	Polypropilene recessing box

light source	light beam options	lumen output (lm)	lumin. efficacy (lm/w)
<b>3000°K warm-white</b>			
high-power led	spot directional	96	48.00
<b>4000°K neutral-white</b>			
high-power led	spot directional	100	50.00

#### Finish color options:

 Stainless Steel